

ClearLink PRO™

Drinking Water Accessory



EXPERIENCE THE DIFFERENCE CULLIGAN CAN MAKE.

BENEFITS

- Use your existing faucet eliminating the need to drill a hole
- Wireless technology allows you to place the ClearLink PRO™ button virtually anywhere
- Integrated filter life indicator takes the guesswork out of when to replace filters
- Water quality monitor ensures you have the best quality water at all times
- Filtered water can be added to any room with a sink

Filtered Water From Your Current Faucet.

ClearLink PRO™ is a first-to-market wireless control system that allows you to get Culligan® filtered water from your main faucet. Until now installing an RO system required a dedicated faucet, meaning drilling a hole or losing a soap dispenser. Now you can use your existing faucet to wash vegetables with your sprayer, fill pots for cooking, or simply enjoy a filtered glass of water.

Culligan®

CULLIGAN® ClearLink PRO™

Features

Filter life gauge ensures your system is producing the best quality water

LED backlight display shows when filtered water is flowing

On trend design in multiple finishes to compliment today's kitchen decor

The alert indicator illuminates when the filters, RO membrane, or batteries need to be replaced

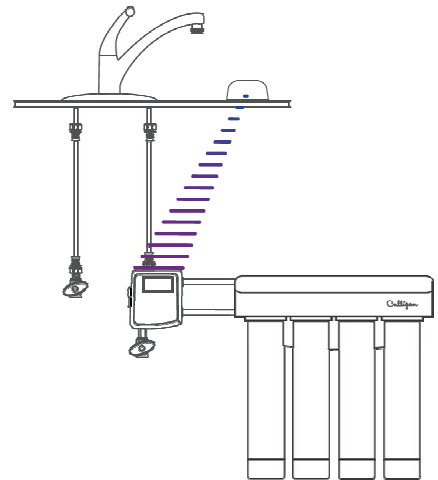


How Does it Work.

ClearLink PRO™ utilizes wireless technology to switch the main faucet between unfiltered and filtered water at the touch of a button.

The ClearLink PRO™ control box is installed on the main water line and connected to the Culligan water filter. For filtered water, turn on the cold water, push the ClearLink PRO™ button, and in a few seconds you have RO water at the main faucet.

When your done, simply turn off the water and the system will automatically divert back to unfiltered water ensuring you do not waste filtered water.



THE CULLIGAN® COMMITMENT

At Culligan® we are committed to providing the highest quality products. Our units are tested to the highest standard and use parts that are corrosion resistant. Culligan® also offers the most experienced, professional service. Since 1936, you can count on Culligan's tradition of innovation and service in the water treatment industry. A trained technician will install and program your home system. Your Culligan® dealer is easy to work with as we can provide salt delivery, filter and media changes, rentals and financing is also available.



For more information, just say
HEY CULLIGAN MAN!®



Products manufactured and marketed by Culligan International Company (Culligan) and its affiliates are protected by patents issued or pending in the United States and other countries. Culligan reserves the right to change the specifications referred to in this literature at any time, without prior notice. Culligan, Culligan Man, ClearLink PRO are trademarks of Culligan International Company or its affiliates. Dealers are independently owned and operated.

*All Culligan products are backed with a 100% Satisfaction Guarantee. If you're not completely satisfied with your Culligan Product within 30 days from the date of purchase, we'll refund the purchase price. Dealer participation may vary.

1-800-CULLIGAN www.culligan.com (US) www.culligan.ca (Canada)
©2015 Culligan International Company

Part No. 37204